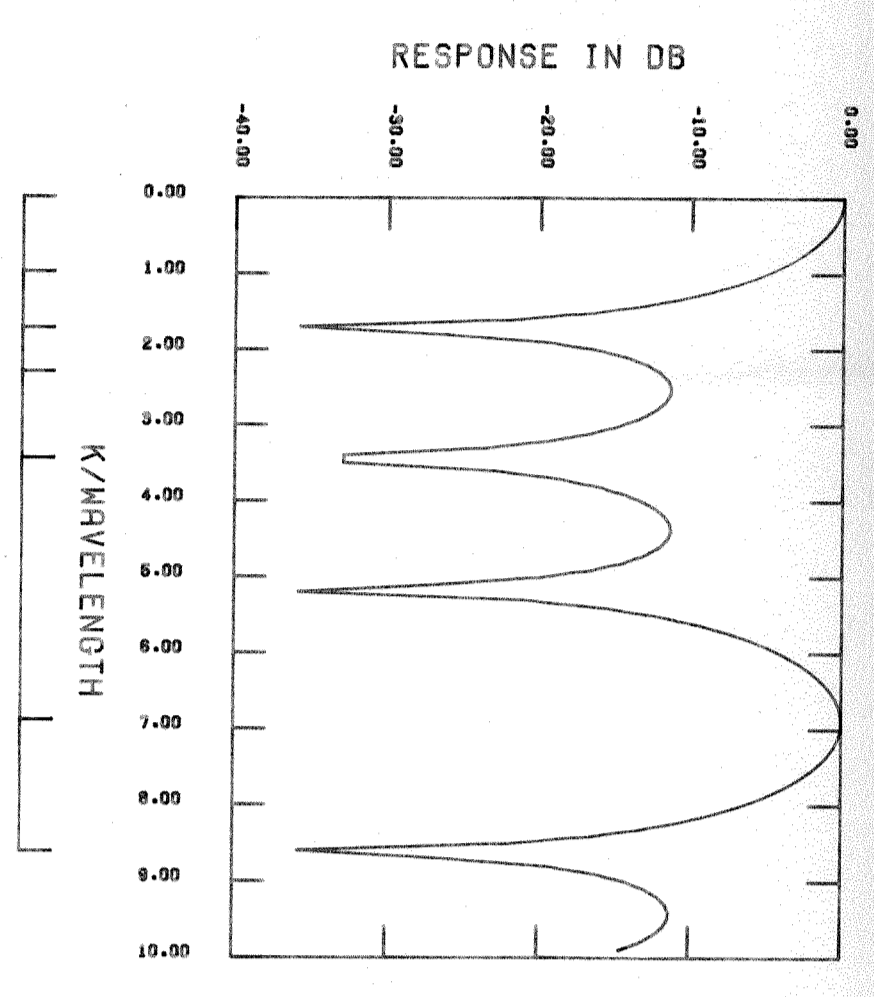
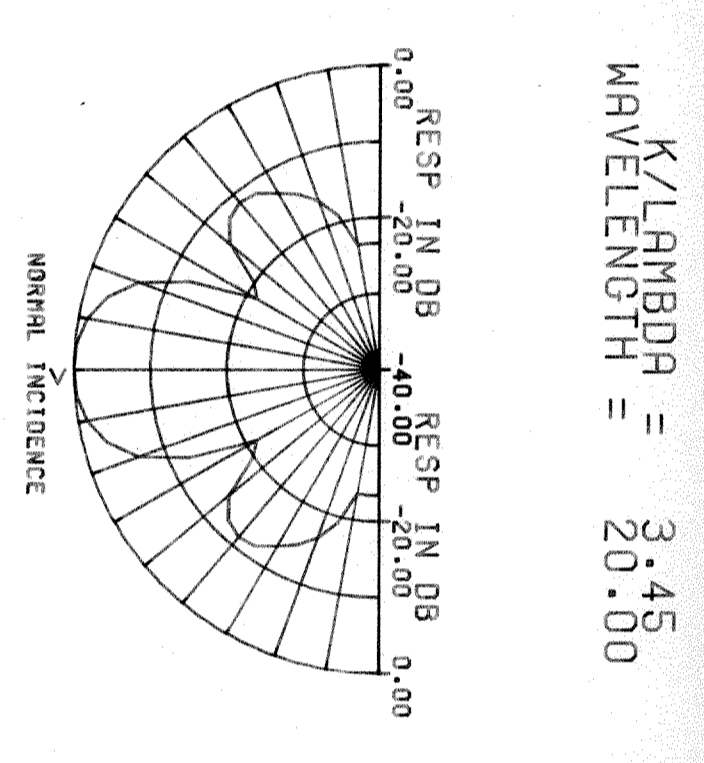


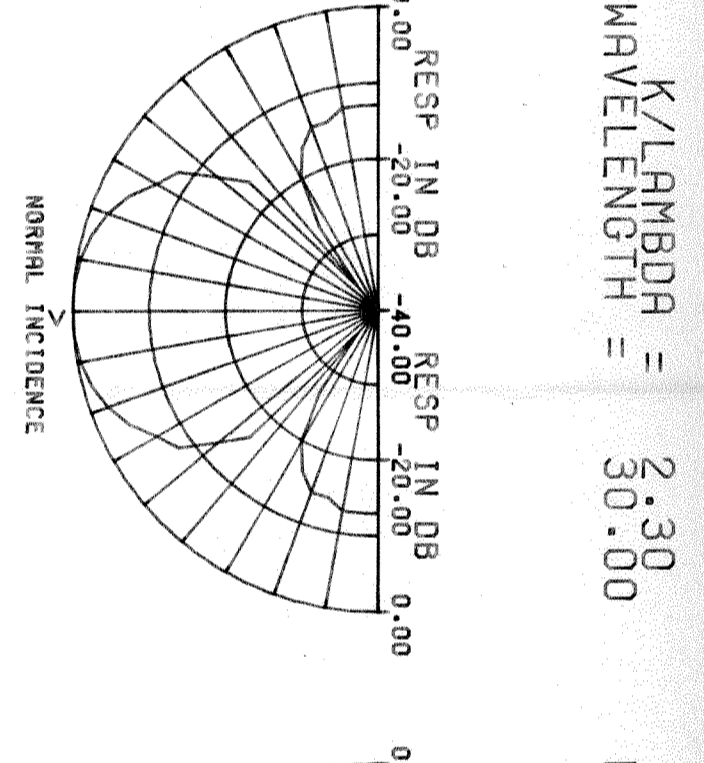
ON PLAN VIEW - WAVE ARRIVAL IS 0.0
 DIRECTION FROM HORIZONTAL
 NORMALIZING CONSTANT K = 69.00



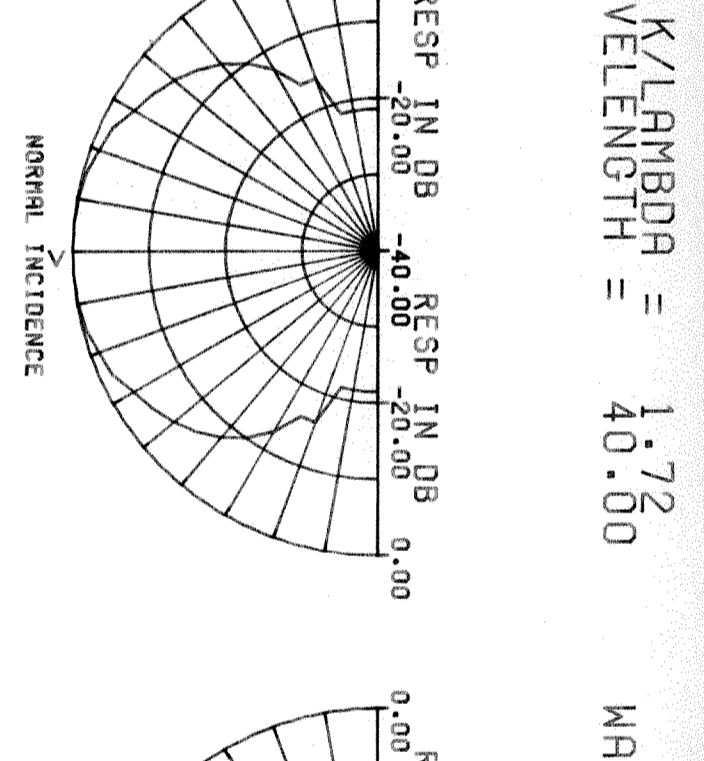
ON PLAN VIEW - WAVE ARRIVAL IS 90.0
 DIRECTION FROM HORIZONTAL
 NORMALIZING CONSTANT K = 69.00



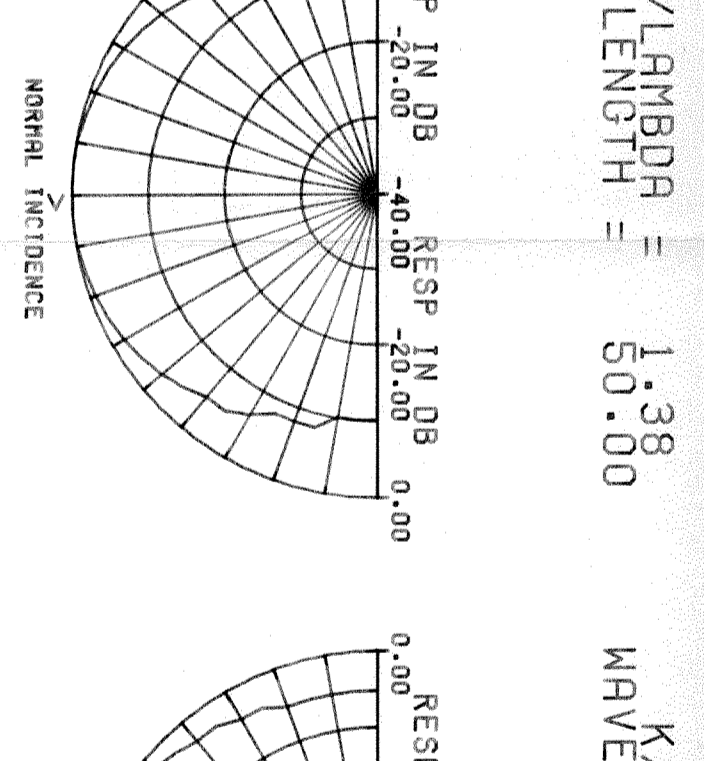
K/LAMBDA = 3.45
 WAVELENGTH = 20.00



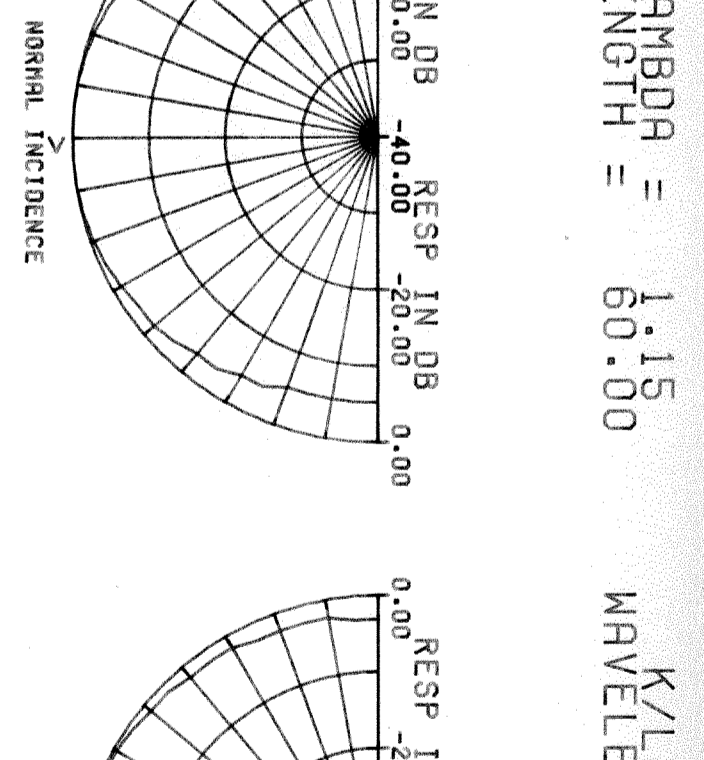
K/LAMBDA = 3.00
 WAVELENGTH = 30.00



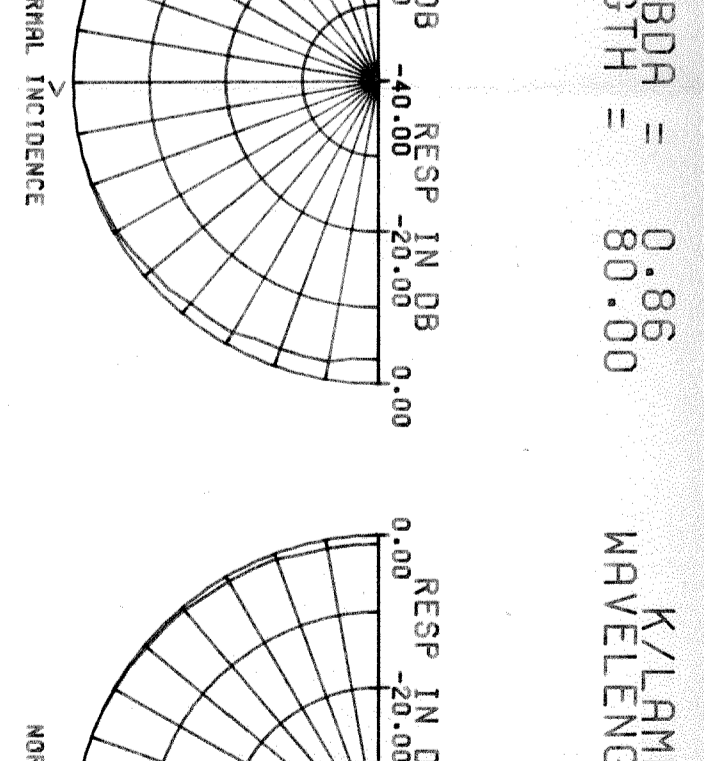
K/LAMBDA = 2.30
 WAVELENGTH = 40.00



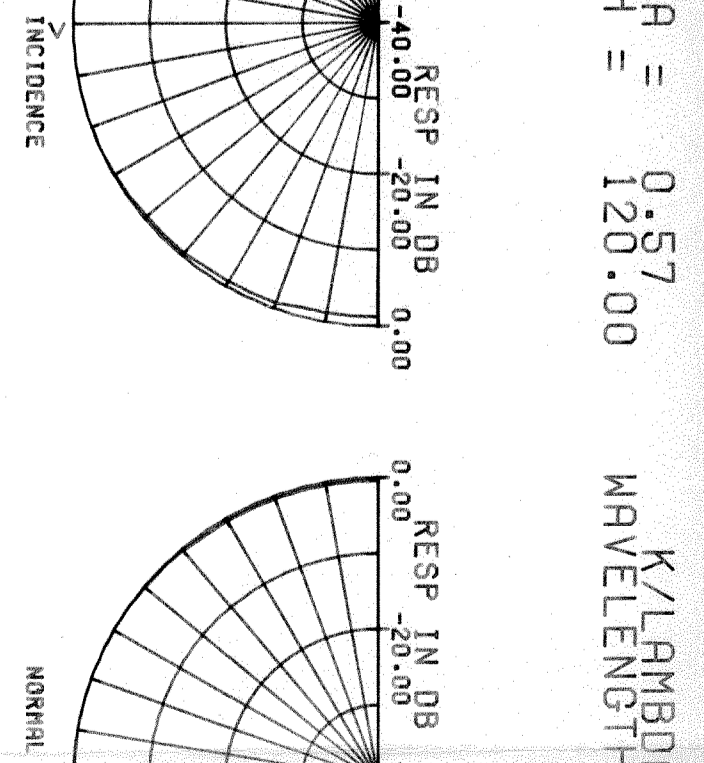
K/LAMBDA = 1.72
 WAVELENGTH = 50.00



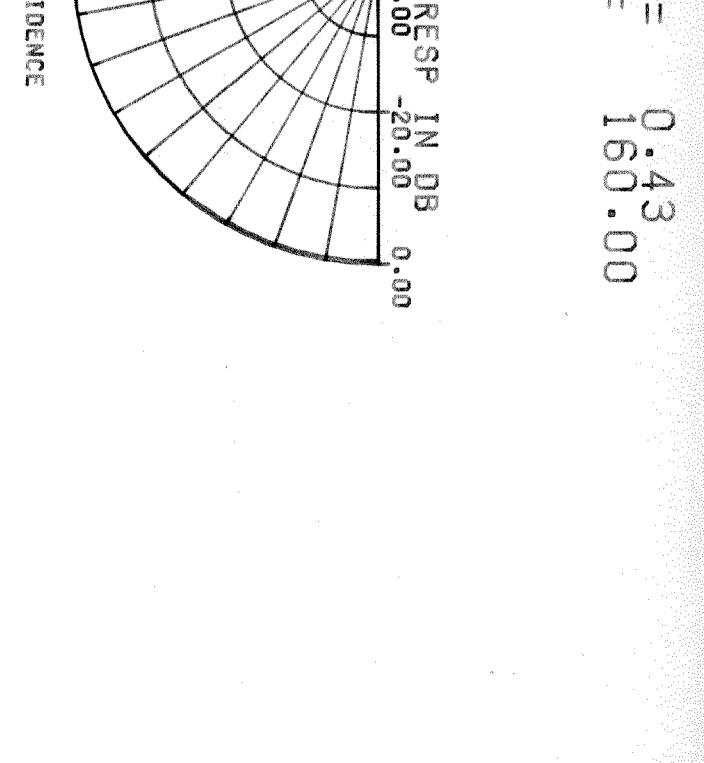
K/LAMBDA = 1.38
 WAVELENGTH = 60.00



K/LAMBDA = 1.15
 WAVELENGTH = 80.00



K/LAMBDA = 0.86
 WAVELENGTH = 120.00



K/LAMBDA = 0.43
 WAVELENGTH = 160.00

K/LAMBDA = 3.45
 WAVELENGTH = 20.00

K/LAMBDA = 3.00
 WAVELENGTH = 30.00

K/LAMBDA = 2.30
 WAVELENGTH = 40.00

K/LAMBDA = 1.72
 WAVELENGTH = 50.00

K/LAMBDA = 1.38
 WAVELENGTH = 60.00

K/LAMBDA = 1.15
 WAVELENGTH = 80.00

K/LAMBDA = 0.86
 WAVELENGTH = 120.00

K/LAMBDA = 0.57
 WAVELENGTH = 160.00

K/LAMBDA = 0.43
 WAVELENGTH = 160.00

